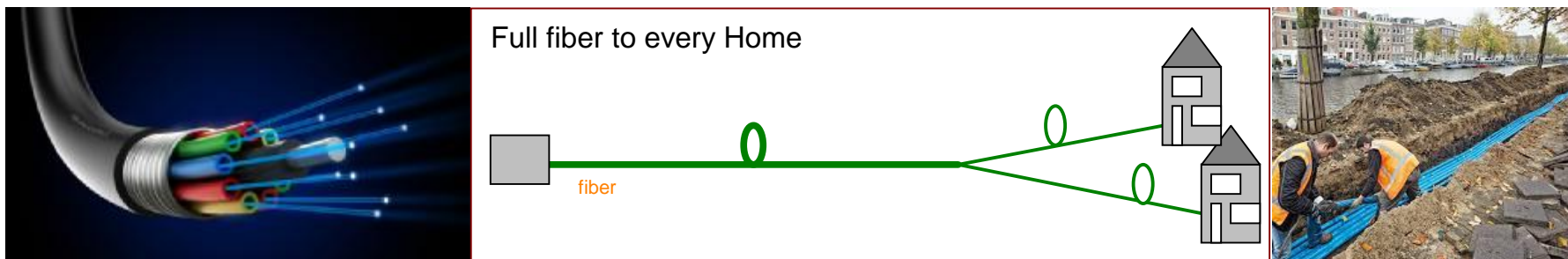


Gigabit broadband to everyone

95% coverage
in 5 or in 50 years?



Let's deploy some fibre



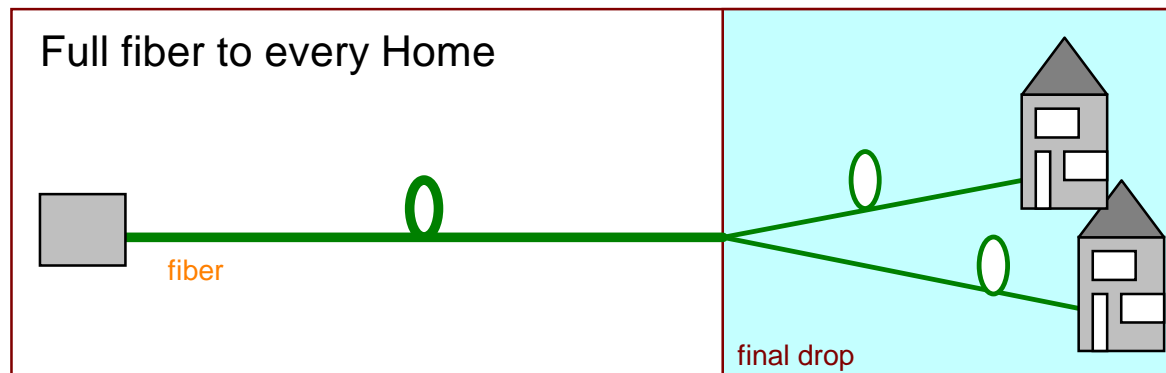
Digging in villages and suburbs OK



But digging in dense city areas ???



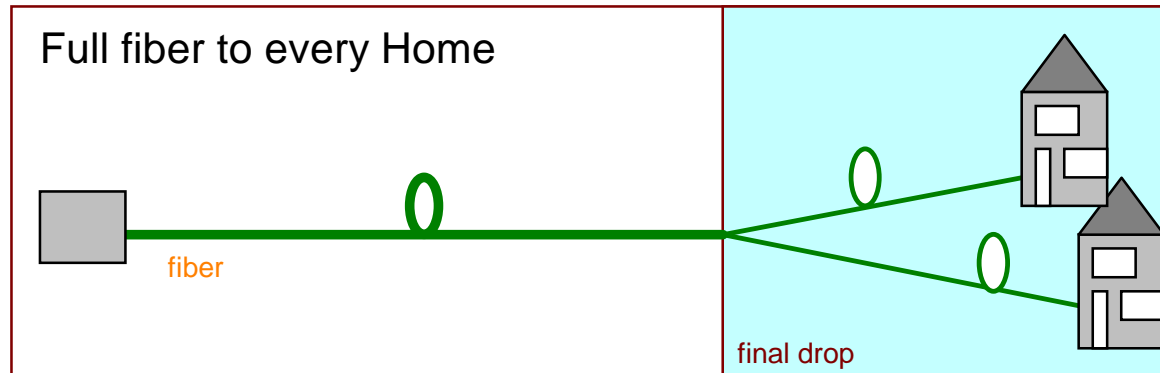
Why full fiber everywhere?



- Digging + drilling
- Installation
- Licenses for digging
- Disturbing customers
- "Everywhere" in 50 years?

The real challenges are
in the final drop

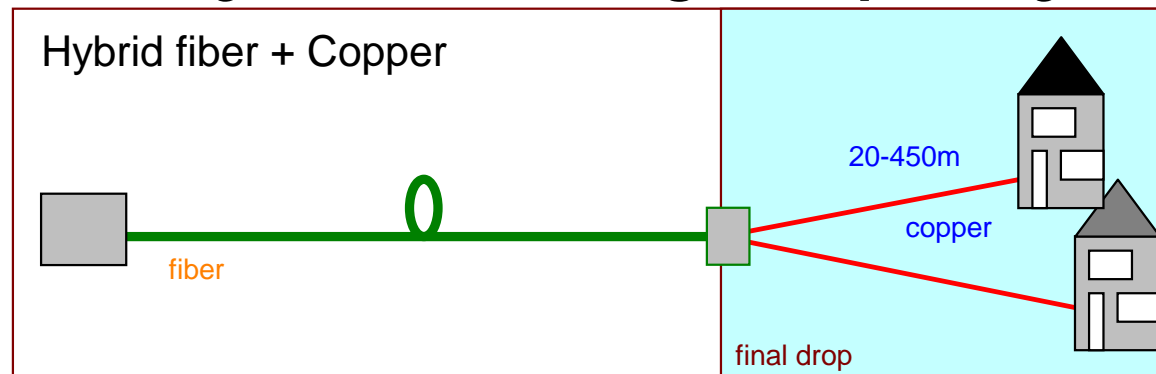
Why full fiber everywhere?



- Digging + drilling
- Installation
- Licenses for digging
- Disturbing customers
- “Everywhere” in 50 years?

The real challenges are in the final drop

Why not re-using telephony cabling?



Quicker and cheaper

- Where appropriate
- “Everywhere” in 5 years

Up to 100 (200) Mb/s (VDSL)
Up to 1 Gb/s ????



“Crazy” idea

2009

- 1 Gb/s via telephony cabling ?????
- Founded 4GBB consortium

Project: **4GBB**

Project: **HFCC/G.fast**

Product

2014

- Approved standards (**G.fast, Dec 2014**)
- First prototypes
- Lab & field trials
- Systems
- Roll-out (**BT, others will follow soon**)

Project: **GOLD/G.fast**

2016

Market forecast

2020

- In UK: >10 M lines ??
- Worldwide market: \$ 4,700,000,000?

BusinessWire.com

ResearchandMarkets.com

*The 4GBB solution accelerates the
95% coverage of Gigabit broadband*

**Enabler for
smart cities!**

